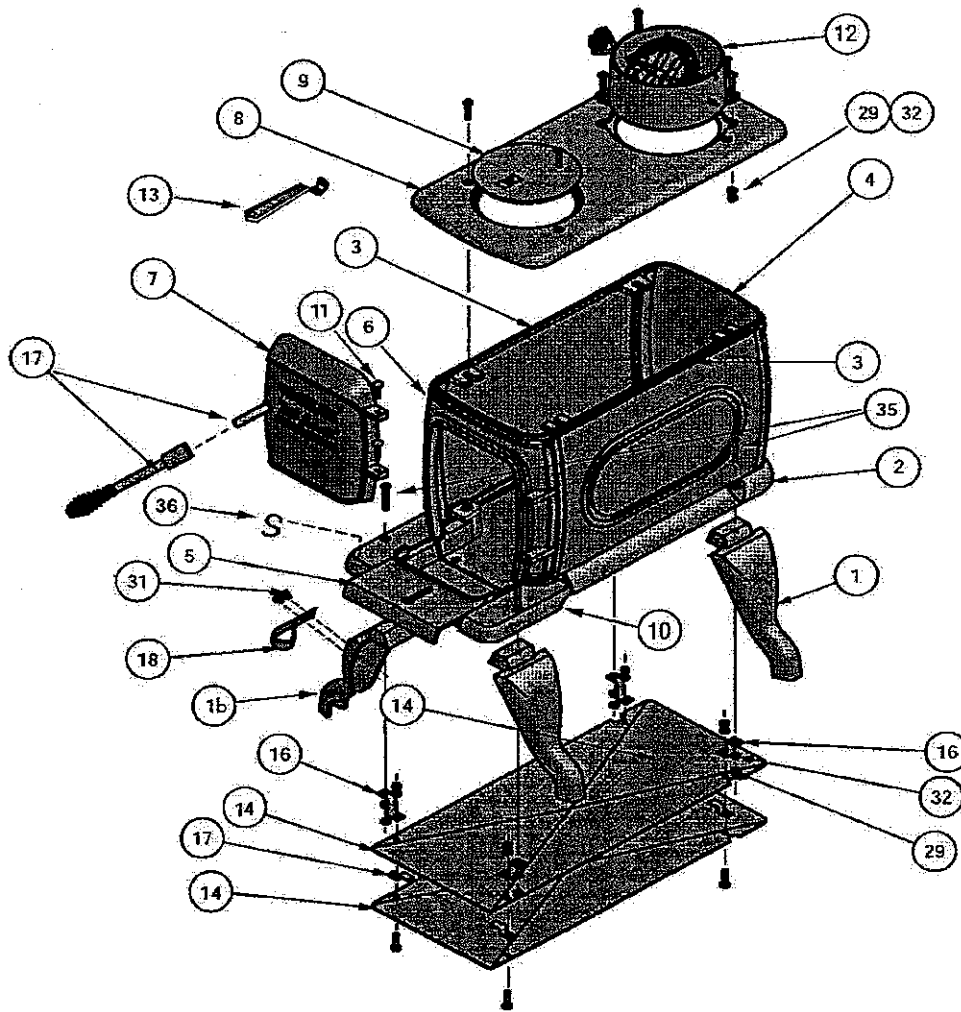


When ordering missing or replacement parts, always provide the following stove information:

## BX22EL Parts List

Model Number  
Part Number  
Part Description



Part #	Ref #	Description	Qty	Part #	Ref #	Description	Qty
L22-01	1	Leg	3	L-1	13	Lid Lifter	1
L22-01b	1b	Leg (with mounting holes)	1	L22-14a	14	Heat Shield Assembly	1
L22-02	2	Bottom	1	L22-15	15	Heat Shield Hanger	4
L22-03	3	Side	2	L22-16	16	Heat Shield Separator	4
L22-04	4	Back	1	L22-17a	17	Separable Handle Assy.	1
L22-05	5	Slide Draft Damper	1	L22-18	18	Handle Holder	1
L22-06	6	Front	1	L22-HP	19	Hardware Pack (complete)	1
L22-07	7	Feed Door	1	M6x1	29	Hex Nut	4
L22-08	8	Top	1	M6x1x8	31	Pan Hd. Mach. Screw	2
L22-09	9	Lid	1	M6	32	Lock Washer	4
L22-10	10	Hearth	1	M6x1x45	35	Leg Bolt	4
L22-11	11	Door Pin	2	L22-S	36	S-hook	1
L22-12a	12	Damper Collar Assy.	1				