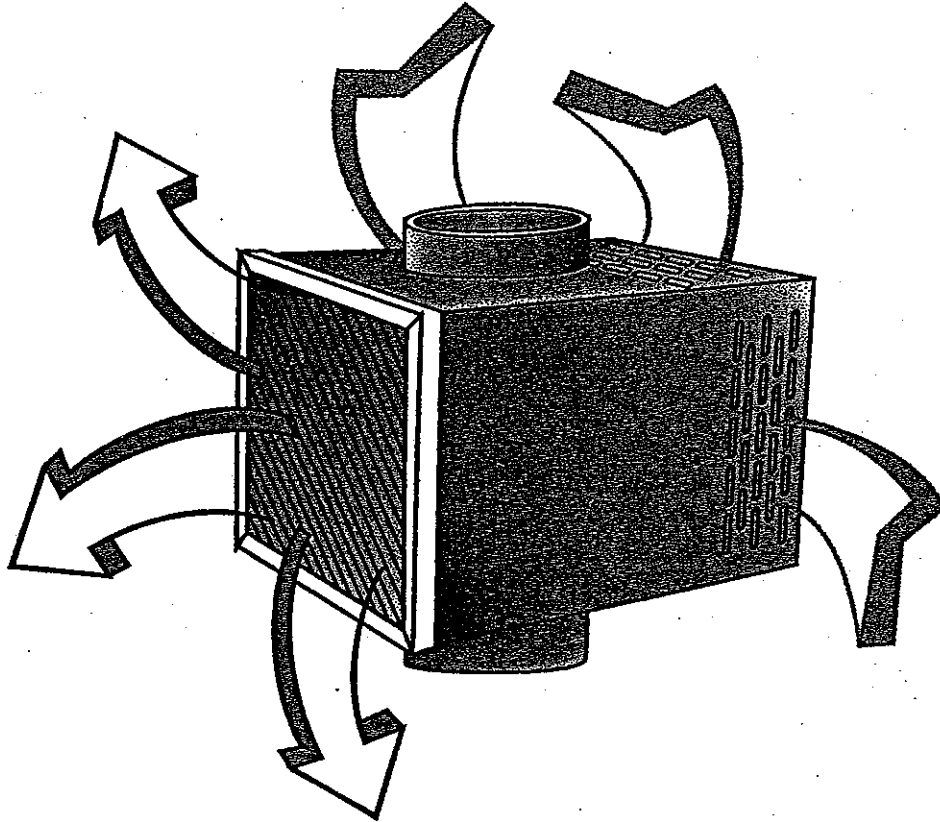


HEAT RECLAIMER

Model HR-6 & HR-8 Owners Manual

(save this manual for future reference)



SAFETY INSTRUCTIONS

READ ALL INSTRUCTIONS CAREFULLY BEFORE STARTING THE INSTALLATION OR OPERATING THE UNIT. FAILURE TO FOLLOW INSTRUCTIONS MAY RESULT IN PROPERTY DAMAGE, BODILY INJURY, OR EVEN DEATH.

TO BE USED WITH SOLID FUEL BURNING APPLIANCES ONLY.
(NO EXCEPTIONS)

DO **NOT** USE THIS UNIT IN A MOBILE HOME OR TRAILER.
(NO EXCEPTIONS)

SAFETY NOTICE: IF THIS UNIT IS NOT PROPERLY INSTALLED, A HOUSE/BUILDING FIRE MAY RESULT. FOR YOUR SAFETY, CONTACT LOCAL BUILDING OR FIRE OFFICIALS ABOUT PERMITS, RESTRICTIONS, AND INSTALLATION REQUIREMENTS FOR YOUR AREA.

VOGELZANG

International CORPORATION



Vogelzang International Corporation
400 West 17th Street
Holland, Michigan 49423
www.vogelzang.com
Phone: 1-616-396-1911 Fax: 1-616-396-1971
Toll Free: 1-800-222-6950

SAFETY INSTRUCTIONS

READ ALL INSTRUCTIONS CAREFULLY.

1. The installation of this unit must comply with your local building code rulings. Please observe the clearances to combustibles (see figure 2).
2. Do not install this unit in a mobile home or trailer (NO EXCEPTIONS).
3. Always connect this unit to a chimney and vent to the outside. Never vent to another room or inside a building.
4. **DO NOT CONNECT** this unit to an aluminum Type B gas vent. This is not safe. Use approved masonry (lined) or a UL 103 HT Listed Residential Type and Building Heating Appliance Chimney. Use a 6" diameter chimney or larger, that is high enough to give a good draft (see specifics in installation instructions for your heating appliance.)
5. The paint used on your Heat Reclaimer may give off smoke and/or odor during the first fires. This may occur during the first dozen fires until the paint has cured. This will end and not reoccur after paint has cured. Persons with lung conditions or owners of susceptible domestic pets (such as birds) should take prudent precautions. Open windows and doors as needed to clear smoke and odor.
6. Be sure that your chimney is safely constructed and in good repair. Have the chimney inspected by the fire department or a qualified inspector. Your insurance company may be able to recommend a qualified inspector.
7. Creosote or soot may build up in the chimney connector and chimney and cause a house/building fire. Inspect this unit, the chimney connector, and chimney twice monthly during the heating season and clean if necessary (see Maintenance & Service Hints, page 5.)
8. Do not install the Heat Reclaimer on a stove, heater, or fireplace pipe that has poor draft or "smokes." The Heat Reclaimer will aggravate this condition. Correct the draft situation **BEFORE** installing.
9. Do not use a Heat Reclaimer that has a smaller diameter than the flue outlet on your stove, heater, or fireplace.
10. Do not restrict the air movement inside or through the Heat Reclaimer.
11. Do not install on a stove, heater, or fireplace with an operating temperature of less than 350 degrees Fahrenheit.
12. Do not install the Heat Reclaimer closer than 18" to any combustible object or material.
13. Use at least **three (3)** sheet metal screws at each connection to secure the Heat Reclaimer to the flue pipe.
14. Do not touch the Heat Reclaimer while it and the heating appliance is in operation. The surfaces are hot and can cause severe burns. Keep children, clothing, and combustible materials away from the unit.
15. Do not allow the power cord to touch any hot surfaces. Keep the power cord at least 12" away from the flue pipe.
16. Do not plug into an electrical outlet that is not grounded or that is operated by a wall mounted on/off switch. The Heat Reclaimer **MUST** be plugged into an electrical outlet whenever the stove is in use. Failure to do so will likely result in damage to the electrical components of the Heat Reclaimer and could result in shock or electrical fire.
17. Use only with a grounded electrical socket. Check with a qualified electrician or service person if you are in doubt as to whether the outlet is properly grounded. Do not modify the plug provided with this unit – if it will not fit the outlet, have a proper outlet installed by a licensed electrician.
18. Maintain all clearance requirements of the heating appliance (see the appliance's owner's manual.)

NOTE: A professional, licensed heating and cooling contractor should be consulted if you have questions regarding the installation of this appliance. This is NOT a UL listed unit.

CAUTION: SHOCK HAZARD

- **ALWAYS DISCONNECT PLUG FROM ELECTRICAL SOURCE BEFORE ADJUSTING OR ATTEMPTING REPAIRS.**

- **ALWAYS DISCONNECT PLUG BY GRASPING PLUG BODY – DO NOT PULL ON CORD TO DISCONNECT FROM WALL OUTLET.**

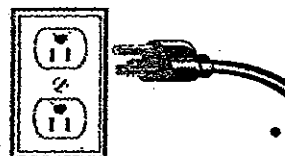


Figure 1

- **USE ONLY WITH PROPERLY GROUNDED OUTLET. DO NOT ALTER PLUG.**

INSTALLATION INSTRUCTIONS

Refer to diagram and parts lists at back of this manual.

1. Check the Owner's Manual for your stove and do not reduce any minimum clearances which may be listed there. Use only Type A (all-fuel) or lined masonry chimneys to connect to your stove. Check your local and state building codes for proper and safe installation.
2. If you have determined your chimney to have an inadequate draft, overcome that deficiency before installing your Heat Reclaimer. Your chimney should be capable of developing at least 0.06 w.c. (measured in water column) draft before installing a Heat Reclaimer. After installation, the chimney should develop at least 0.045 w.c. as measured below the Heat Reclaimer. All stove pipe above or below your Heat Reclaimer must be 24-gauge or heavier to provide adequate support. Any horizontal run of pipe must pitch upward toward the chimney at least 1/4" per foot of horizontal run. All stove pipe and/or elbow joints must be secured by at least three (3) sheet-metal screws.
3. Any elbow installed below your Heat Reclaimer should be of the *non-adjustable* type.
4. Install a hand damper (wood and coal stoves) **BELOW** the Heat Reclaimer.
5. Note: The power cord must not contact any part of the stove or chimney connector(s). If the unit is installed horizontally, the unit must be positioned so the power cord exits the lower side of the unit.
6. The Heat Reclaimer pipe size must be the same or larger diameter than the flue outlet of the heating appliance.
7. All electric supply cord connections shall comply with the requirements of local authorities having jurisdiction over such matters.
8. Overfiring this unit is not recommended. Refer to your heating appliance owner's manual regarding overfiring.
9. The Heat Reclaimer can be installed in your present flue pipe either horizontally, vertically, or at an angle. It may be installed with the crimped end either up or down, according to your installation needs.
10. The Heat Reclaimer should be installed as close to the flue outlet as possible, but no closer than 15" from the top or back as shown in figure 2.
11. Do Not install the Heat Reclaimer closer than .18" from any combustible material.
12. Use at least three (3) sheet metal screws at each connection to secure the Heat Reclaimer to the flue pipe.
13. Keep the power cord at least 12" away from the flue pipe.

NOTICE: In case of a power outage (more than 15 minutes), your heater may be kept in use provided you do not overfire to the point the Heat Reclaimer tubes glow red hot. Overfiring could damage the air seals in the heat exchange tubes.

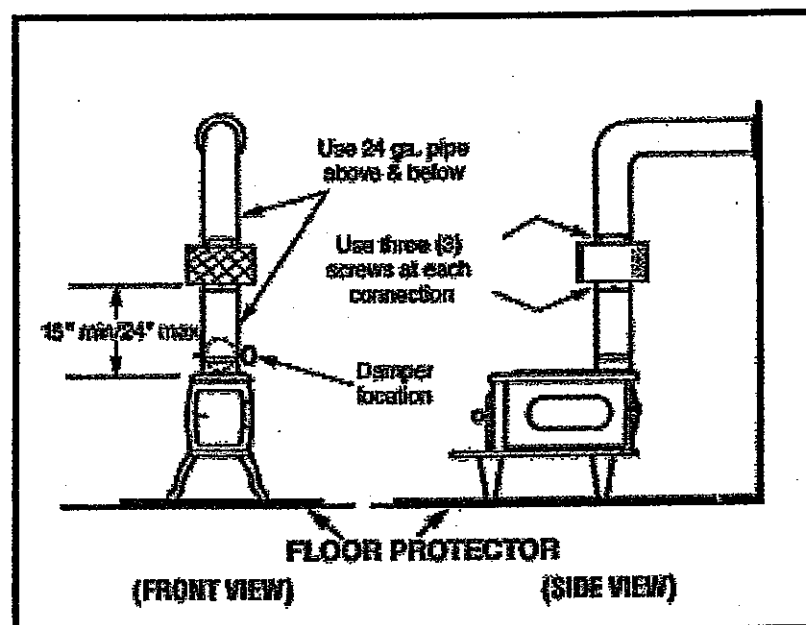


Figure 2

OPERATING INSTRUCTIONS

WARNING: EXPLOSION HAZARD

- NEVER USE CHEMICALS, GASOLINE, GASOLINE-TYPE LANTERN FUEL, KEROSENE, CHARCOAL LIGHTER FLUID, OR SIMILAR FLAMMABLE LIQUIDS TO START OR "FRESHEN-UP" A FIRE IN ANY HEATING APPLIANCE.
- KEEP ALL FLAMMABLE LIQUIDS, ESPECIALLY GASOLINE, OUT OF THE VICINITY OF ANY HEATING APPLIANCE — WHETHER IN USE OR IN STORAGE.

CAUTION: HOUSE FIRE HAZARDS

- FLOORPROTECTOR MUST EXTEND UNDERNEATH HEAT RECLAIMER.
- OVERFIRING MAY CAUSE A HOUSE FIRE. YOU ARE OVERFIRING IF THE HEATER, CHIMNEY CONNECTOR, OR HEAT RECLAIMER GLOWS RED. OVERFIRING MAY DAMAGE THE TUBING AIR SEALS IN THE HEAT RECLAIMER AND CAUSE UNSAFE OPERATING CONDITIONS.

OPERATING SAFETY PRECAUTIONS

1. NEVER BUILD EXTREMELY LARGE FIRES IN YOUR STOVE AS DAMAGE TO THE APPLIANCE OR SMOKE LEAKAGE MAY RESULT.
2. HEAT RECLAIMER AND HEATING APPLIANCES ARE HOT WHILE IN OPERATION. KEEP CHILDREN, CLOTHING, AND FURNITURE AWAY. CONTACT MAY CAUSE SKIN BURNS. DO NOT TOUCH THE HEAT RECLAIMER OR APPLIANCE AFTER FIRING UNTIL IT HAS COOLED.
3. INSPECT STOVEPIPE AND HEAT EXCHANGER TUBES EVERY 60 DAYS. REPLACE IMMEDIATELY IF STOVEPIPE OR TUBES ARE RUSTING OR LEAKING SMOKE INTO THE ROOM.

NOTICE: BEFORE FIRST USE, REVIEW THE SAFETY PRECAUTIONS AND INSTALLATION INSTRUCTIONS TO ENSURE THAT ALL OF THE PROCEDURES AND STEPS HAVE BEEN PROPERLY COMPLETED.

Build a small fire in your stove and gradually build up to normal operating condition. Some smoke and odor may be evident during initial operation. This will cease as the paint bakes and cures.

The Heat Reclaimer is designed to be automatic and will turn on when the flue pipe reaches the factory set temperature. It will also turn off automatically when the flue temperature falls below the factory set temperature. Do not attempt to alter the thermostat in any way. This not only a convenience feature, but an important safety device as well. **Keep the electrical cord plugged into a live circuit at all times except during servicing to prevent overheating and possible damage and/or malfunctioning of the unit.** Do not connect this unit to a switched circuit.

CAUTION: SLOW BURNING FIRES AND EXTENDED USE MAY CAUSE EXCESSIVE CREOSOTE BUILDUP. IGNITION OF CREOSOTE BUILDUP OR OVERFIRING MAY CAUSE A CHIMNEY FIRE. CHIMNEY FIRES BURN EXTREMELY HOT AND MAY IGNITE SURROUNDING MATERIALS. IN CASE OF A CHIMNEY FIRE CALL THE FIRE DEPARTMENT IMMEDIATELY.

MAINTENANCE & SERVICE HINTS

CLEANING – Periodic cleaning of the Heat Reclaimer is recommended. Inspect and clean at least three times during the heating season. Remove the unit and clean any ash or creosote from the pipes. Vacuum or blow any dirt that has accumulated in the outer housings of the Heat Reclaimer.

FAN MOTOR – Disassemble the top and bottom housing sections and locate the fan motor mounted to the back panel. Remove any accumulations of dirt or dust.

Reassemble the unit following the diagram in the back of this manual.

CHIMNEY DRAFT – Draft is a function of the chimney, not the heating appliance. Smoke spillage into the house or excessive buildup of condensation or creosote in the chimney are warnings that the chimney is NOT functioning properly. Correct the problem before using the heating appliance or installing the Heat Reclaimer. Following are some possible causes for improper draft.

1. The connector stovepipe may be pushed into the chimney too far, stopping the draft.

2. If the chimney temperature is too cool, water will condense in the chimney and run back into the appliance. Creosote formation will be rapid and may block the chimney. Operate the appliance at a fire level high enough to keep the chimney warm to prevent condensation from forming.

3. If the fire burns well but sometimes creates excess smoke or burns slowly, it may be caused by the chimney top being lower than another part of the house or a nearby tree. The wind blowing over a house or tree, falls on top of the chimney like water over a dam, beating down the smoke. The top of the chimney should be at least three (3) feet above the roof and be at least two (2) feet higher than any point of the roof within ten (10) feet.

CREOSOTE – Formation and Removal.

Slow-burning wood produces tar and other organic vapors which combine with expelled moisture to form creosote. Creosote vapors condense in the relatively cool chimney flue of a slow-burning fire. As a result, creosote residue accumulates on the flue lining. If ignited, this creosote creates an extremely hot fire which may ignite surrounding materials resulting in a building fire.

If creosote has accumulated, it should be removed. Failure to remove creosote may result in ignition and may cause a house/building fire. Creosote may be removed using a chimney brush or other commonly available materials from your local hardware retailer. Remove the Heat Reclaimer before cleaning the chimney or flue pipe.

CHIMNEY INSPECTIONS – The chimney connector and chimney should be inspected at the beginning of and at least twice a month during the heating season to determine if a creosote buildup has occurred.

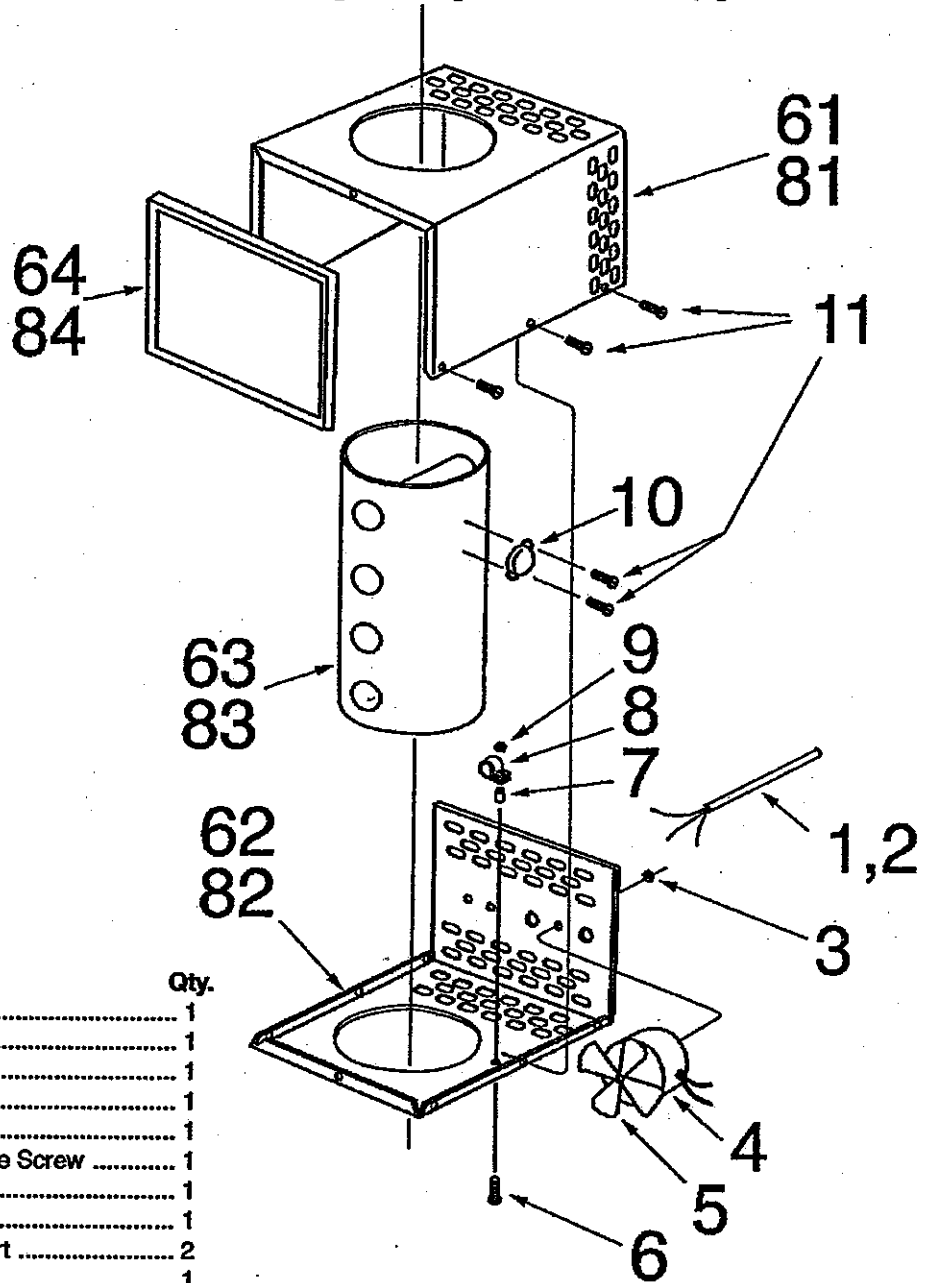
Chimney fires burn very hot. If the chimney connectors or the Heat Reclaimer should glow red, reduce the fire by closing the damper and the appliance draft control and immediately call the fire department.

CAUTION: A CHIMNEY FIRE MAY CAUSE IGNITION OF WALL STUDS OR RAFTERS WHICH WERE ASSUMED TO BE A SAFE DISTANCE FROM THE CHIMNEY. IF A CHIMNEY FIRE HAS OCCURRED, HAVE YOUR CHIMNEY INSPECTED BY A QUALIFIED EXPERT BEFORE USING AGAIN.

A fire in your heating appliance may be smothered by pouring a large quantity of coarse salt, baking soda, or cool ashes on top of the fire.

ORDERING PARTS – HR-6 & HR-8 HEAT RECLAIMER

When ordering missing or replacement parts, always give the Model Number of the unit, Part Number, and Part Description. Use the illustration and parts list provided to identify parts.



Part No.	Description	Qty.
1	Cord, Power Supply	1
2	Bushing, Strain Relief	1
3	Nut, 8-32 Hex	1
4	Motor, Fan	1
5	Blade, Fan	1
6	Screw, 8-32x1-1/4" Machine Screw	1
7	Spacer, Steel	1
8	Clamp, Power Cord	1
9	Jam Nut, #8-32 Nylon Insert	2
10	Thermostat	1
11	Screw, #8-32x3/8" Pan Head Sheet Metal ..	8
61	Top&Side Weldment, HR-6	1
81	Top&Side Weldment, HR-8	1
62	Bottom&Back Weldment, HR-6	1
82	Bottom&Back Weldment, HR-8	1
63	Flue Pipe&Tubing Assembly, HR-6	1
83	Flue Pipe&Tubing Assembly, HR-8	1
64	Brass Trim, HR-6	1
84	Brass Trim, HR-8	1

This Vogelzang heating appliance is safe when installed properly and will provide you with years of service. However, always exercise good judgement when you are using this stove. You are dealing with FIRE! Fire is inherently dangerous and must be treated with respect. Stay warm and in good health!

Respectfully yours,

Steve Vogelzang

Proprietor

COMPANY TESTIMONY:

"FOR GOD SO LOVED THE WORLD THAT HE GAVE HIS ONLY BEGOTTEN SON, THAT WHOEVER BELIEVES IN HIM SHALL NOT PERISH BUT HAVE ETERNAL LIFE"

JOHN 3:16

MADE IN CHINA

VOGELZANG

International CORPORATION



Vogelzang International Corporation

400 West 17th Street

Holland, Michigan 49423

www.vogelzang.com

Phone: 1-616-396-1911 Fax: 1-616-396-1971

Toll Free: 1-800-222-6950