

# DK-50 DRAFT INDUCTION KIT

Optional Equipment for  
Vogelzang Solid Fuel Furnaces  
Norseman Models 1500 & 2500

**Assembly Instructions & Parts List**  
(save this manual for future reference)

## ***SAFETY INSTRUCTIONS***

READ ALL INSTRUCTIONS CAREFULLY BEFORE STARTING THE INSTALLATION OR OPERATING THE UNIT.

CAUTION: SHOCK HAZARD!  
DISCONNECT POWER TO  
THE FURNACE BEFORE  
INSTALLING THIS KIT.

THIS UNIT IS USED IN  
CONJUNCTION WITH NORSEMAN  
FURNACE MODELS 1500/2500.  
FOLLOW SAFETY PRECAUTIONS  
AND OPERATING INSTRUCTIONS  
INCLUDED WITH THE FURNACE.

# VOGELZANG

*International* CORPORATION



Vogelzang International Corporation  
400 West 17th Street  
Holland, Michigan 49423  
www.vogelzang.com  
Phone: 1-616-396-1911 Fax: 1-616-396-1971  
Toll Free: 1-800-222-6950

# ASSEMBLY INSTRUCTIONS — DK-50

Refer to diagram and parts lists on this and the following page.

1. Remove the pipe plug from the forced air draft outlet on the rear of the furnace housing, figure 1.
2. Install the DK-50-6 mounting plate to the DK-50-2 blower unit with the hardware provided.
3. Thread the blower assembly into the draft outlet opening on the rear of the furnace housing in place of the pipe plug removed in step 1.
4. **CAUTION: SHOCK HAZARD!** Make sure the power to the furnace has been disconnected before proceeding to make electrical connections for the draft blower.
5. Remove the cover from the junction box. If this is a complete installation (furnace and draft blower kit), provide a separate branch circuit power supply to the furnace according to the furnace instructions and wire it into the junction box. Make connections to the Fan Control Center according to figures 3 & 4 on pages 4 & 5 of these instructions.
6. Refer to the wiring diagrams (fig. 3 & 4) on the following pages for the furnace model in use and make the electrical connections to the rear of the Fan Control Center.
7. Mount the Fan Control Center onto the junction box with the low voltage contacts to the outside of the box.

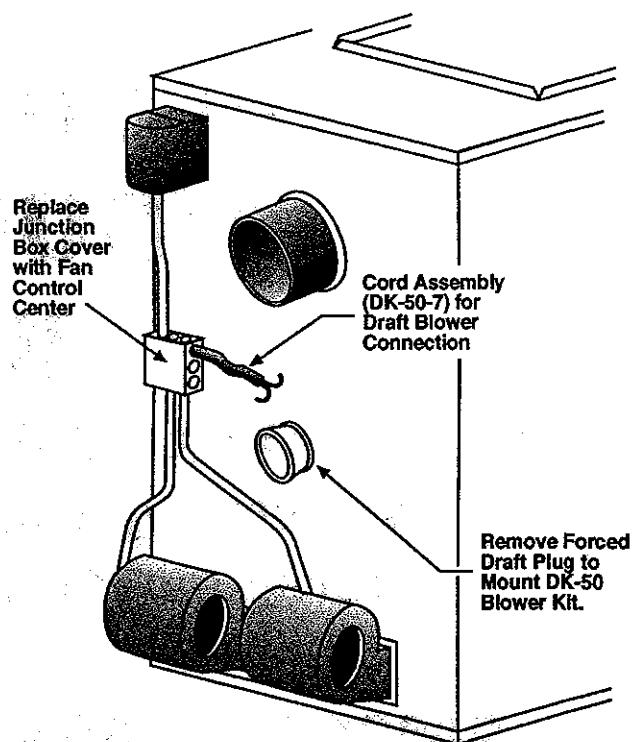


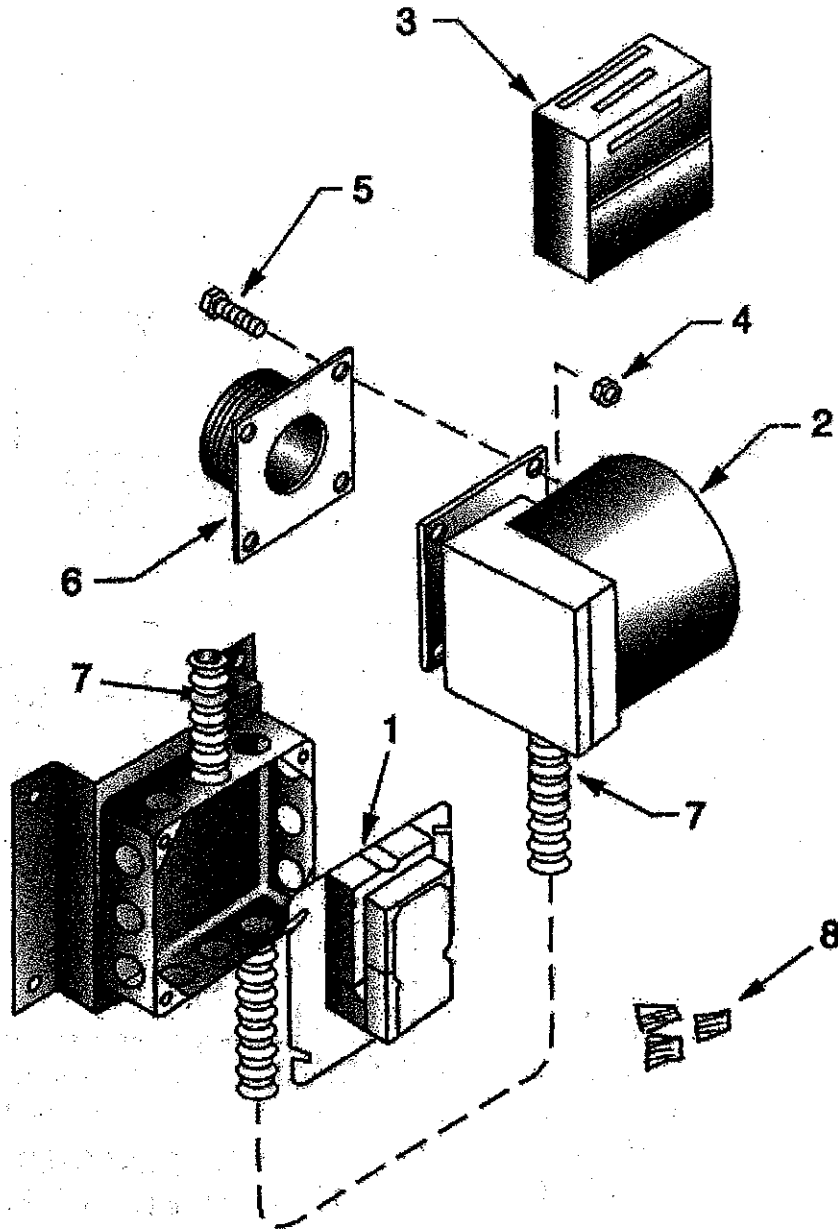
Figure 1

8. Mount the thermostat in a location of the house where you wish to maintain a constant temperature and route the wires back to the furnace. (NOTE: Thermostat wire is not included with this kit.)
9. Wire the thermostat to the control center as shown in the wiring diagrams (fig. 4 & 5).

## OPERATING INSTRUCTIONS — DK-50

1. Set the wall thermostat to desired temperature. (Make sure furnace thermostat is set 5° to 10° higher than other heating units.)
2. When the room temperature at the thermostat falls below the selected temperature setting the Forced Draft Blower will come on.
3. As the plenum temperature rises, the circulating blower(s) will come on distributing heat to the home through the duct system.
4. The forced draft blower will remain on until the room temperature reaches the setting on the thermostat at which time it will shut off.

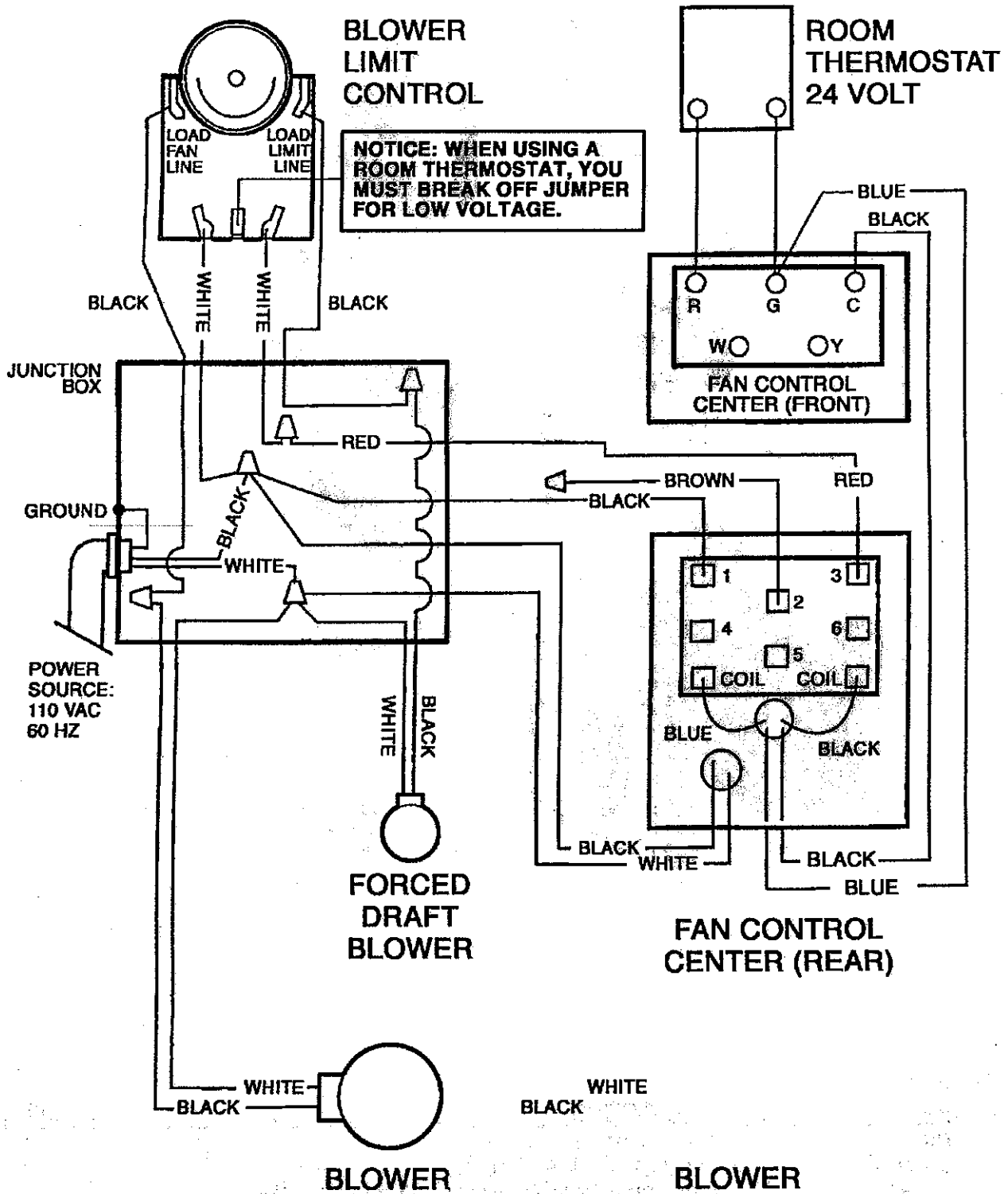
*Figure 2*



ITEM NO.	PART NO.	DESCRIPTION	QTY
1	DK-50-1	FAN CONTROL CENTER	1
2	DK-50-2	BLOWER, FORCED DRAFT	1
3	DK-50-3	WALL THERMOSTAT (WIRING NOT INCLUDED)	1
4	DK-50-4	KEP NUT, 1/4-20	4
5	DK-50-5	HEX BOLT, 1/4-20 X 3/4" BLACK OXIDE	4
6	DK-50-6	MOUNTING PLATE, DRAFT BLOWER	1
7	DK-50-7	CORD ASSEMBLY, FAN CONTROL	1
8	DK-50-8	WIRE NUT	4

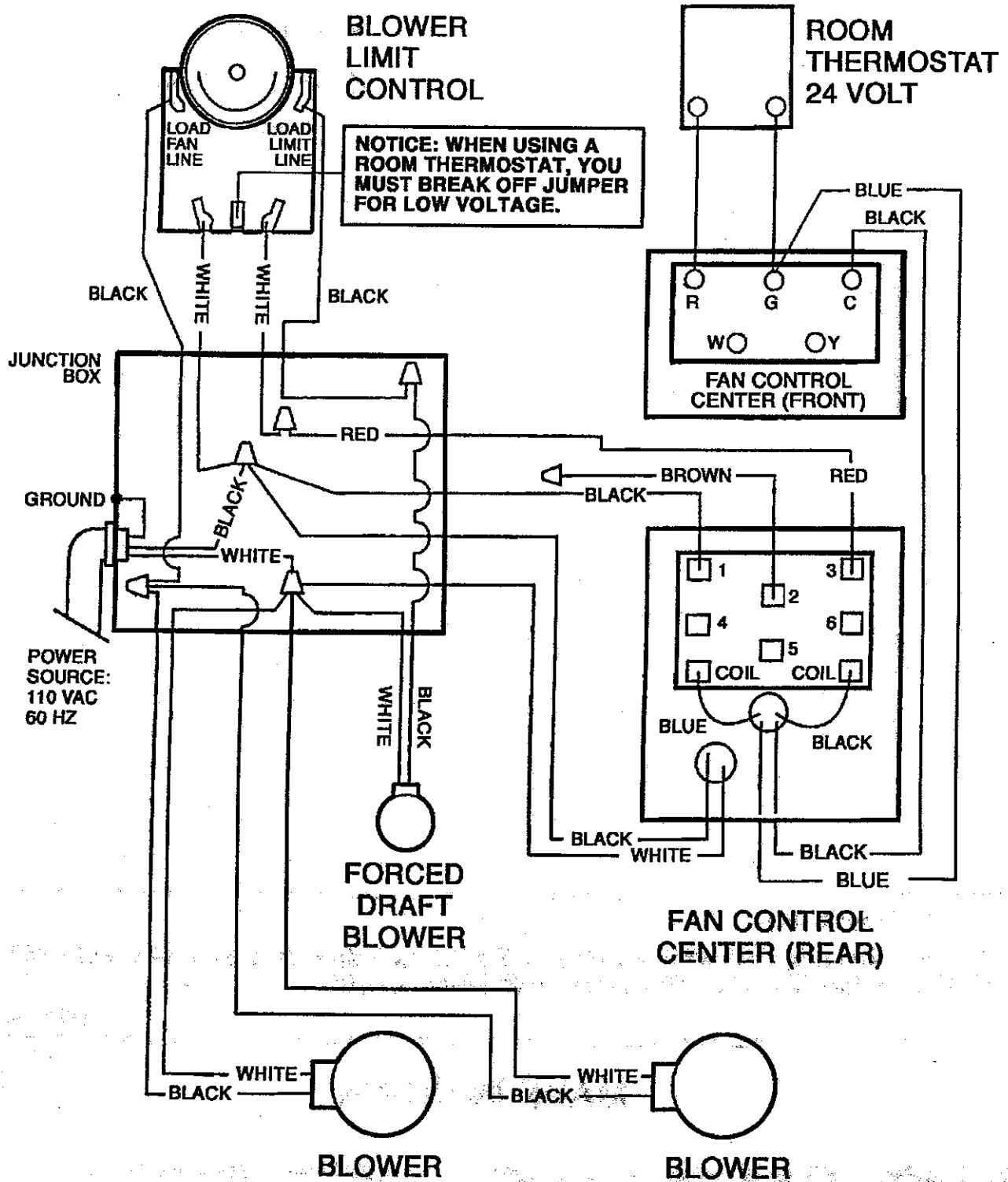
# WIRING DIAGRAM – NORSEMAN MODEL 1500

Figure 3



# WIRING DIAGRAM – NORSEMAN MODEL 2500

Figure 4



This Vogelzang heating appliance is safe when installed properly and will provide you with years of service. However, always exercise good judgement when you are using this stove. You are dealing with FIRE! Fire is inherently dangerous and must be treated with respect. Stay warm and in good health!

Respectfully yours,

*Steve Vogelzang*

Proprietor

**COMPANY TESTIMONY:**

**"FOR GOD SO LOVED THE WORLD THAT HE GAVE HIS ONLY BEGOTTEN SON, THAT WHOEVER BELIEVES IN HIM SHALL NOT PERISH BUT HAVE ETERNAL LIFE"**

**JOHN 3:16**

**MADE IN CHINA**

**VOGELZANG**

*International* CORPORATION



Vogelzang International Corporation

400 West 17th Street

Holland, Michigan 49423

[www.vogelzang.com](http://www.vogelzang.com)

Phone: 1-616-396-1911 Fax: 1-616-396-1971

Toll Free: 1-800-222-6950