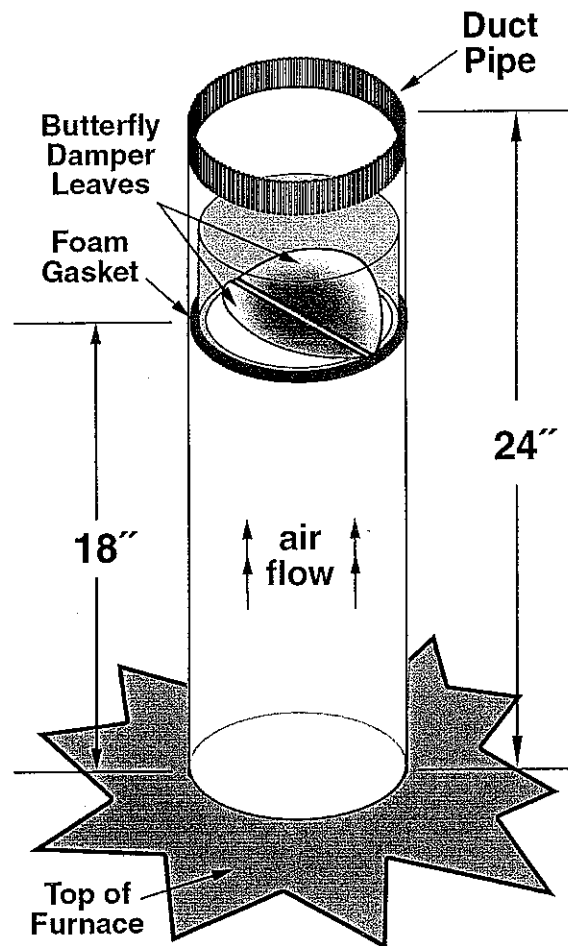


ANTI-BACKDRAFT DAMPER

Model AD-8 Instructions

The Anti-Backdraft Damper is specifically designed for use with Norseman® Add-on Furnace Models 1500 or 2500. The anti-backdraft damper helps prevent air in the plenum from moving the wrong direction through the add-on furnace.



INSTRUCTIONS:

1. Remove damper unit from packaging.
2. Orient the damper for use in the first section of 8 inch round duct work atop your furnace. The spring should be located towards the furnace.
3. Insert the damper carefully into the duct pipe. Insert the damper through the non-crimped end of the duct pipe.
4. Carefully push the damper towards the opposite end of the duct pipe at least 18" into the pipe.

VOGELZANG
International CORPORATION 

Vogelzang International Corporation
400 West 17th Street
Holland, Michigan 49423
www.vogelzang.com
Phone: 1-616-396-1911
Fax: 1-616-396-1971